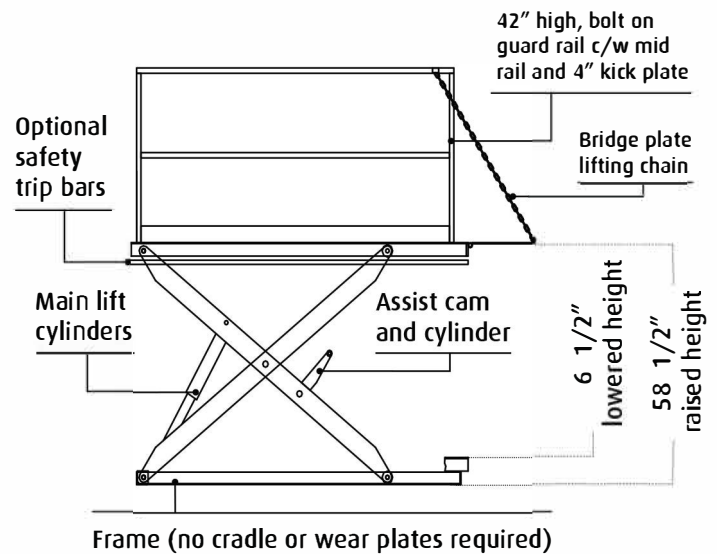
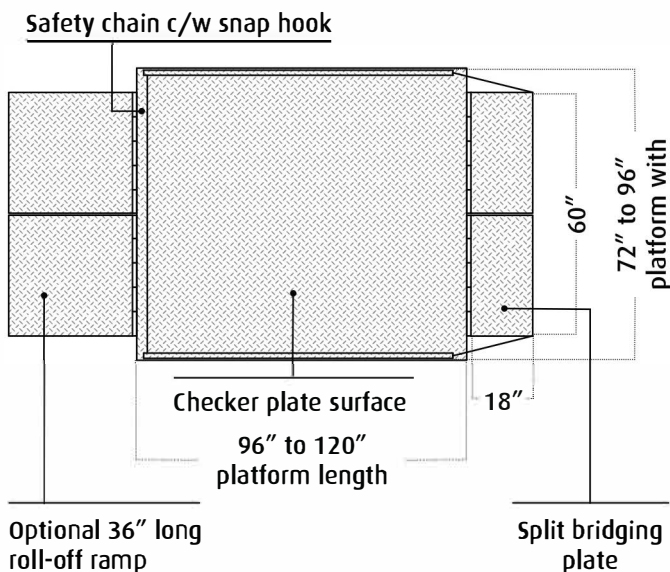




The JMP Solutions' **LPD Low Profile Dock** features electro-hydraulic operation for both indoor and outdoor service. It is suitable for ground level installation (no pit required) and can be configured as a permanent or portable installation.

SPECIFICATIONS

- **Capacity:** 5,000/6,000/8,000 Lb. capacities
- **Platform:** 72" x 96" to 96" x 120" platforms
- **Power Pack:** 1 hp to 5 hp / single or 3 phase
- **Controls:** hand held pendant control on cord or mounted on guard rail
- **Options:** larger lip/aluminium lips; rear hinged roll off ramp; roll of stop; safety trip bars
- **Portability:** dolly and wheels; c/w power pack on platform
- **Finishing:** gray enamel paint; safety stripping and capacity labels; Safety yellow and orange paint available



CONSTRUCTION & EQUIPMENT FEATURES

- Lubricated for life Teflon bushings
- Ground and chromed steel pins and axles
- Scissor legs are made from graded hrs steel
- Heavy duty hydraulic cylinders
- Rugged all welded angle base frame
- Stops at any level: which allows loads to be positioned at any height during up or down travel
- In the event of electrical failure the lift will not lower
- Velocity fuse in the hydraulic line to prevent the lift from lowering in the event of hydraulic hose failure
- Power pack equipped with filters, pressure relief, pressure compensated flow control and lowering solenoid valves In aluminium manifold
- Nema 4 rated push button control
- 24 v control voltage

CONTACT YOUR NEAREST DEALER OR JMP SOLUTIONS FOR ENGINEERING & PRICING INFORMATION