



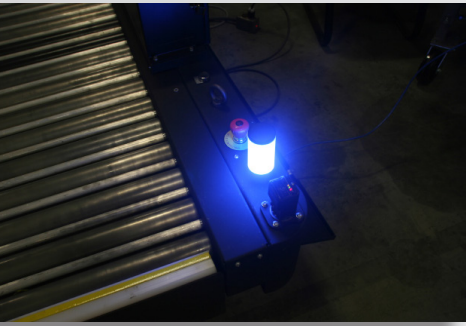
JMP Solutions

AGV/AGC Appliances

Engineered Material Handling Solutions

CUSTOM DESIGN APPLIANCES FOR LIFT DECKS AND CONVEYORS





AGV & AGC MOUNTED APPLIANCES

JMP Solutions' AGV/AGC Appliances are built specifically for our customers applications. The customer's involvement at the design stage ensures the appliances have all the features and performance requested for the specific job.

LIFTS

Standard Features & Certifications

- Built and designed in accordance to ANSI MH29.1
- CSA & CE certified to RoHS
- 500 to 100,000 lbs capacity
- Standard and custom controls
- Precision lift, stop & hold capabilities
- Top deck with tool attachment points
- Single, double, triple and quadruple scissors models
- Recessed Sensors

Options

- AC & DC power options
- Multiple speed options
- Cold temp design available
- Low profile option
- Conveyor top option
- Turntable top option
- Tilt top option
- Custom finishes
- Custom designed and built to customer specifications



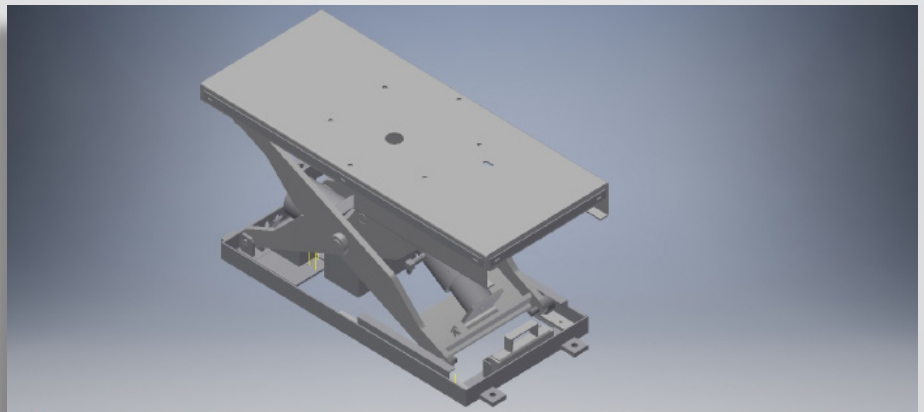
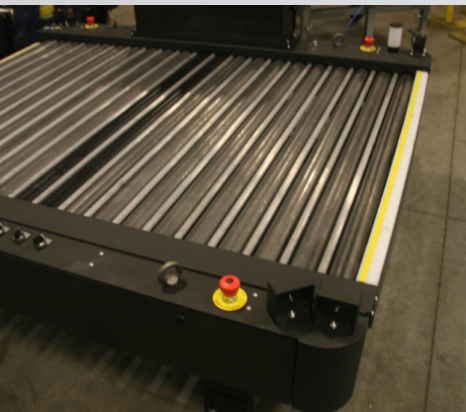
CONVEYORS

Standard Features & Certifications

- CSA & CE certified to RoHS
- Rollers, powered & gravity
- Up to 20,000 lbs capacity
- Powered drag chain conveyor
- Powered end stops
- Standard and custom controls
- Recessed sensors

Options

- Multiple speed options
- Belt conveyor option
- AC & DC power options
- Cold temp design available
- Custom finishes
- Custom designed and built to customer specifications



INTEGRATED SOLUTIONS

With a track record of over three decades of engineering & manufacturing, JMP Solutions provides comprehensive and innovative logistic solutions. The company provides fully engineered and integrated turn-key solutions to meet all client material handling needs ranging from receiving, storage, replenishment, sortation, picking and packing through to cross-docking and shipping.

A LEADING PROVIDER OF CASE AND PALLET HANDLING CONVEYOR SYSTEMS

Our combination of standard and custom engineered components allow us to create conveyor solutions tailored to our clients' needs. This distinguishes us as one of the leading system providers in North America.

Our method is to work with each of our clients to build a partnership and jointly develop the best possible solutions.

We have designed, manufactured, controlled and implemented package and pallet handling systems since our incorporation in 1983. Our primary focus is providing turn-key automated conveyor system solutions in Food and Beverage, Distribution and Fulfillment, General Manufacturing and Postal and Courier.

Over the course of three decades the market demands have evolved and so did our company's service portfolio. We have been able to stay ahead of the curve for three decades in part by purchasing or investing in several companies and brands such as Sadler Inc., Aerdon Lifts and DS Handling Solutions.



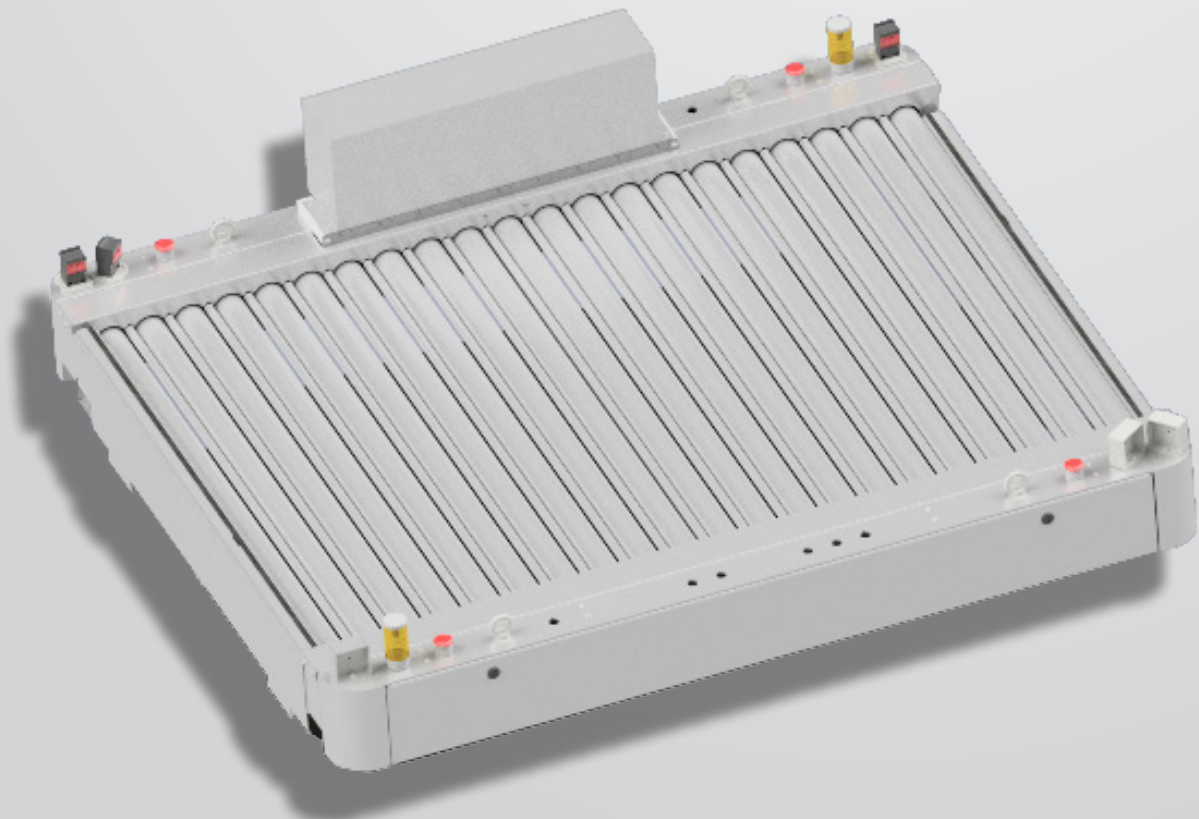
At JMP Solutions, we are dedicated to providing quality material handling products and services. We accomplish this by establishing long-term business relationships with our clients through a strong commitment from our employees, while maintaining a high standard for business ethics.



JMP Solutions

Industrial Technology Partner to the Fortune 1000

Successfully servicing a wide customer base varying from small-scale businesses to fortune 500 companies



IN-HOUSE FABRICATION AND MANUFACTURING

Avoid outsourcing and save money with solutions designed, manufactured and managed by JMP Solutions.

To complement our line of standard products, we also manufacture auxiliary items in our fabrication shop. In many cases, our clients require support structures and structural steel pieces to suit specific applications.

Outsourcing these materials can increase cost and cause delays in the completion of a project.

By offering in-house fabrication, we can deliver and install these items expediently and cost-effectively. With our mechanical engineering and manufacturing staff together under one roof, we offer a broad range of solutions:

- Structural Mezzanines
- Catwalk Structures
- Operator Platforms / Crows Nests
- Access Ladders
- Conveyor Walkovers
- Header / Hanger Steel Assemblies
- Non-Standard Machine Guarding
- Forklift Stops
- Safety Guarding and Structural Bollards
- Spiral Conveyor
- Chain Driven Live Roller Conveyor
- Chain Conveyor
- Pallet Dispensers
- Pallet Stackers
- Pallet De-Stackers

TF: 519-941-0005 | A: 95 John St, Orangeville, ON, L9W 2R1, Canada

www.jmpsolutions.com

